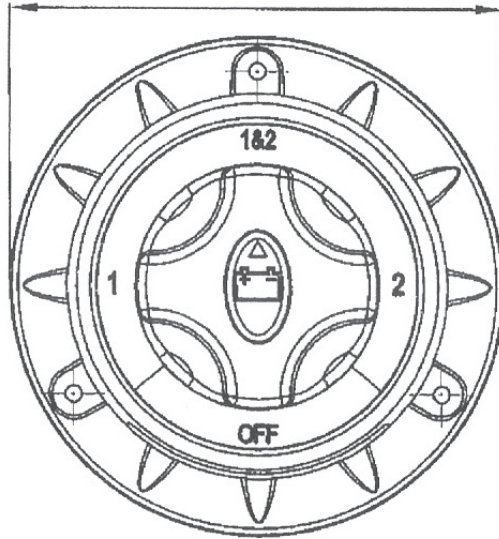
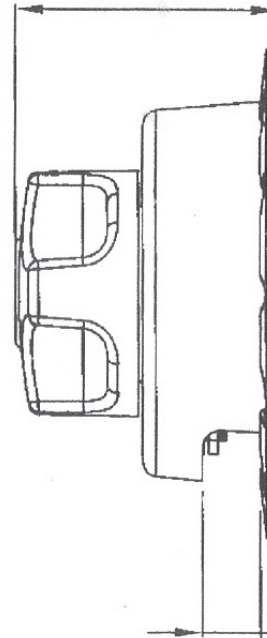


Continuous Rating	200 Amps 6~32 VDC	Mounting Hole	Circuit Diagram		Field Diagram
Intermittent Rating	300 Amps		OFF		
Cranking Rating	1000 Amps	 	1		
Contact Resistance	50m ohm Max.		2		
Insulation Resistance	DC 1000V 100M ohm Min.		1&2		
Dielectric Strength	DC 2000V 1 minute AC 1000V 1 minute				
Operation Temperature	-20°C~80°C				
Switch Function	OFF/1/2/1&2				
Actuation Force	5±0.5 Kgf-cm				

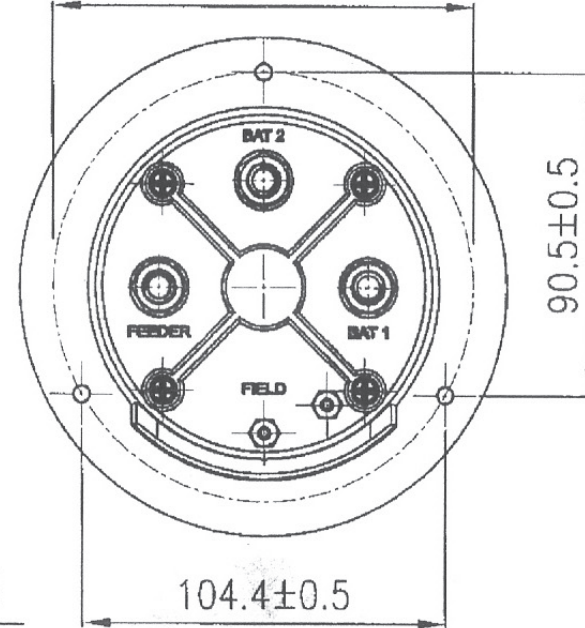
Ø140±0.5



75±0.5

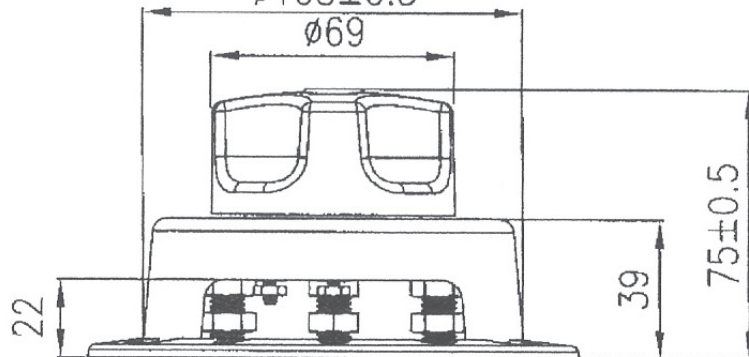


Ø120.6±0.5



Ø108±0.5

Ø69



Material:

Actuator, Housing, Cover are PBT(UL flame:94V-0)  
Contact screw and nut are copper alloy.

